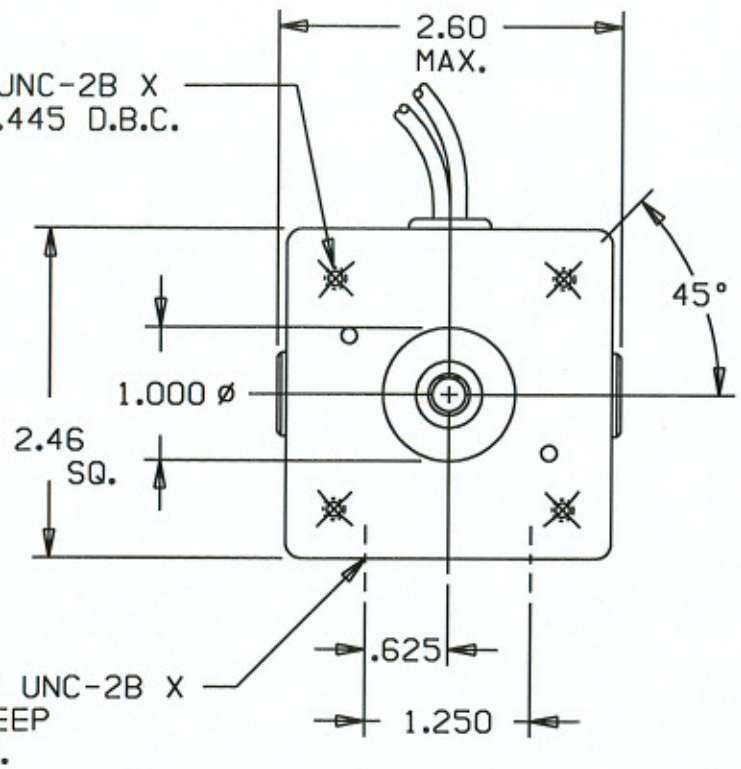


#8-32 UNC-2B X
ON A 2.445 D.B.C.
4 PLS.



RAE P/N	DAYTON MODEL	VOLTAGE (VDC)	HP	RPM	TORQUE (IN-LBS)	CURRENT (AMPS)	L1	L2	WEIGHT
2423273	4Z145	12/24	1/20 / 1/9	1750 / 4000	1.81	5.10	4.68	4.93	4.0
2423272	4Z142	90	1/27	1800	1.30	.50	4.68	4.93	4.0