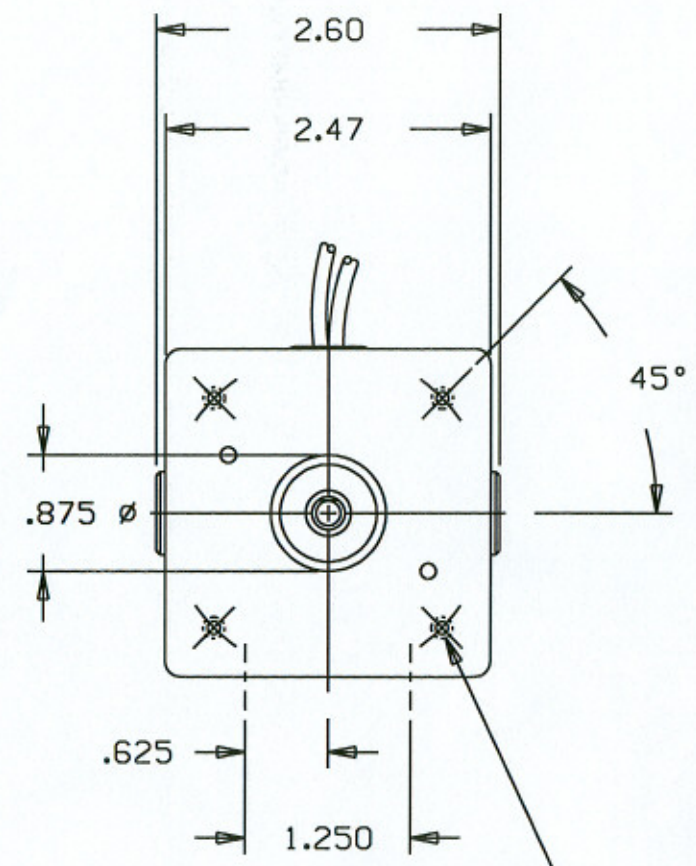


#8-32 UNC-2B X  
 .37 DEEP FULL THD.  
 4 PL.



#8-32 UNC-2B THRU  
 ON A 2.445 D.B.C.  
 4 PL.

RAE P/N	DAYTON MODEL	VOLTAGE (VDC)	HP	RPM	TORQUE (IN-LBS)	CURRENT (AMPS)	L1	L2	C	WEIGHT
2315304	1Z835	12/24	1/44 / 1/18	1800 / 4300	.81	2.40	3.50	3.75	5.55	2.8
2315305	1Z837	90	1/53	2500	.50	.26	3.50	3.75	5.55	2.8