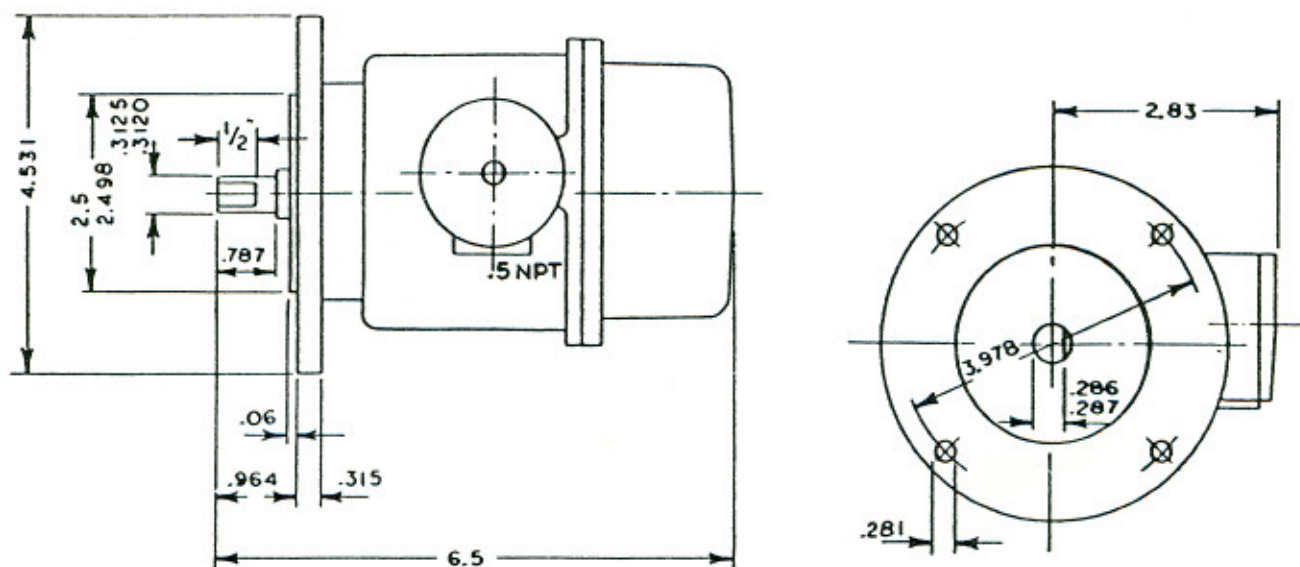


Longlife"

A significant technology breakthrough has been made by Hubner in the area of tach life. Embedded in the tach commutator is a solid silver track. This design, coupled with the excellent sliding properties of pure graphite brushes, gives these tachs an exceptionally long maintenance free life. The tach life is about the same as the life of permanently lubricated ball bearings. For this reason, these tachs are designated, "Longlife".

This design also allows these tachs to operate in very adverse environments. "Longlife" is experienced even in environments that previously caused premature tach failures, such as the oil laden atmosphere of the machine tool industry.

DIMENSIONS APY-50 and APY-100



Dimensions are in inches

DIMENSIONS FAPY-50 and FAPY-100

