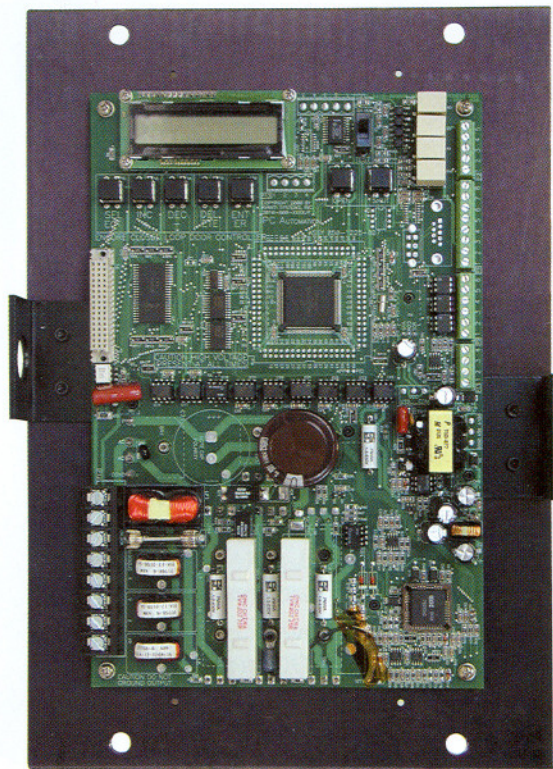
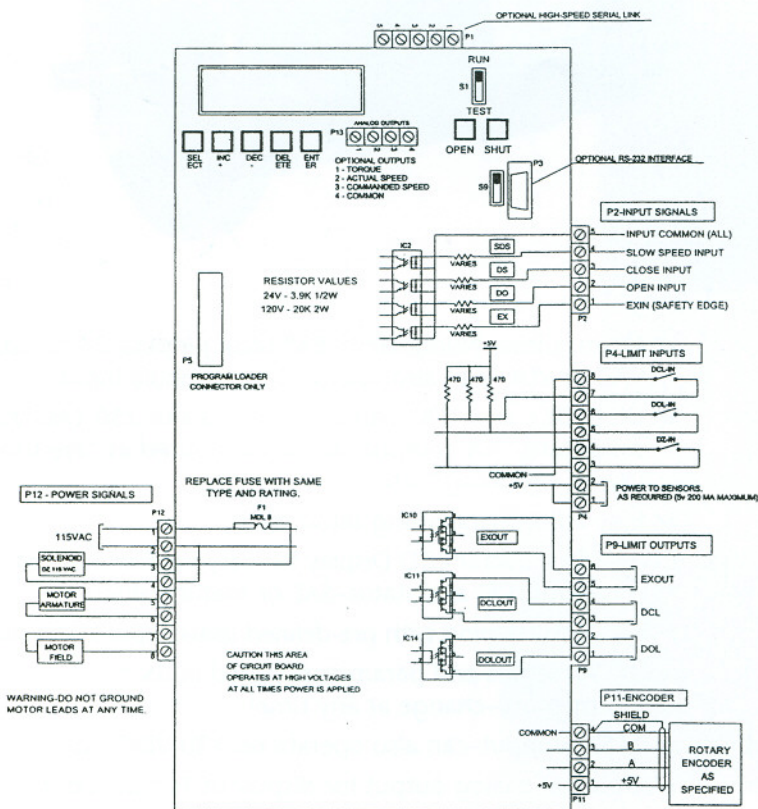


# Electrical Specifications

Input Power:	115VAC +/-20% at 15A minimum. Can also operate at 130VDC input commonly used in older OTIS machines.
Motor Output:	Supplied with new PM motor/encoder assembly to retrofit OTIS 6970 machines or GAL MOD, MOM or MOH operators (please specify)—up to 160 VDC maximum at 6A. Capable up to 9A for 60 seconds measured at 115VAC input power.
DOL/DCL Inputs:	Supplied with magnetic limit switch assembly for OTIS 6970. GAL models use existing cam-switch limit inputs. Contact closure.
Controller Signal Inputs:	Rated at 24 to 120 V (AC or DC). Standard unit supplied with 120VAC inputs (please specify). Can also operate from single input OTIS controllers (software selectable).
Limit Outputs: DOL, DCL and EX Aux. (Programmable):	Solid State—AC or DC 24 to 300 V. Maximum current 100 mA.
Operating Temperature:	0-50° Centigrade.
Optional Analog Outputs:	Provides torque, Actual speed and Commanded speed outputs referenced to 5VDC full (Please specify this option).



ADVANCED SOLUTIONS IN MOTION



4615 West Prime Parkway • McHenry, IL 60050 • 815-759-3934

1-800-323-1691